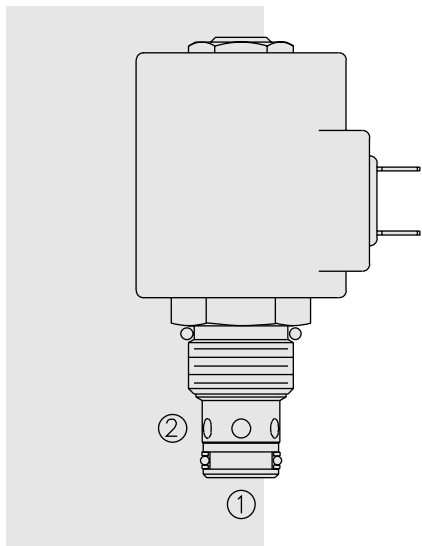


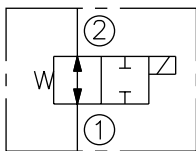
SOLENOID VALVES

SV10-25 Spool, 2-Way, Normally Open

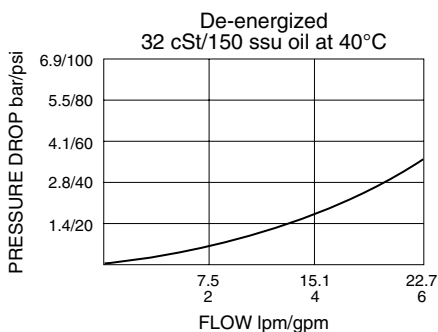


SYMBOLS

USASI/ISO:



PERFORMANCE (Cartridge Only)



DESCRIPTION

A solenoid-operated, 2-way, normally open, direct-acting, spool-type, screw-in hydraulic cartridge valve, designed to function as a bidirectional blocking valve.

OPERATION

When de-energized, the **SV10-25** allows flow in both directions.

When energized, the cartridge's spool shifts to close the bidirectional flow path.

Operation of Manual Override Option: To override, push button in and twist counterclockwise 180°. The internal spring will push the button out. In this position, the valve may be only partially shifted. To assure full override shift, pull the button out to its fullest extension and hold it in this position.

To return to normal valve function, push button in, twist clockwise 180° and release. Override will be detented in this position.

FEATURES

- Continuous-duty rated solenoid.
- Hardened precision spool and cage for long life.
- Optional coil voltages and terminations.
- Both ports may be fully pressurized.
- Efficient wet-armature construction.
- Cartridges are voltage interchangeable.
- Manual override option.
- Optional waterproof E-Coils rated up to IP69K.
- Unitized, molded coil design.
- Industry common cavity.

RATINGS

Operating Pressure: 207 bar (3000 psi)

Proof Pressure: 350 bar (5075 psi)

Flow: 22.7 lpm (6 gpm) max.

Internal Leakage: 82 cc/minute (5 cu. in./minute) max. at 207 bar (3000 psi)

Temperature: -40 to 120°C with standard Buna seals

Coil Duty Rating: Continuous from 85% to 115% of nominal voltage

Response Time: First indication of change of state with 100% voltage supplied at 80% of nominal flow rating: Energized: 60 msec.; De-energized: 60 msec.

Initial Coil Current Draw at 20°C: Standard Coil: 1.67 amps at 12 VDC; 0.18 amps at 115 VAC (full wave rectified). E-Coil: 2.0 amps at 12 VDC; 1.0 amps at 24 VDC

Minimum Pull-in Voltage: 85% of nominal at 207 bar (3000 psi)

Filtration: See page 9.010.1

Fluids: Mineral-based or synthetics with lubricating properties at viscosities of 7.4 to 420 cSt (50 to 2000 ssu)

Installation: No restrictions; See page 9.020.1

Cavity: VC10-2; See page 9.110.1

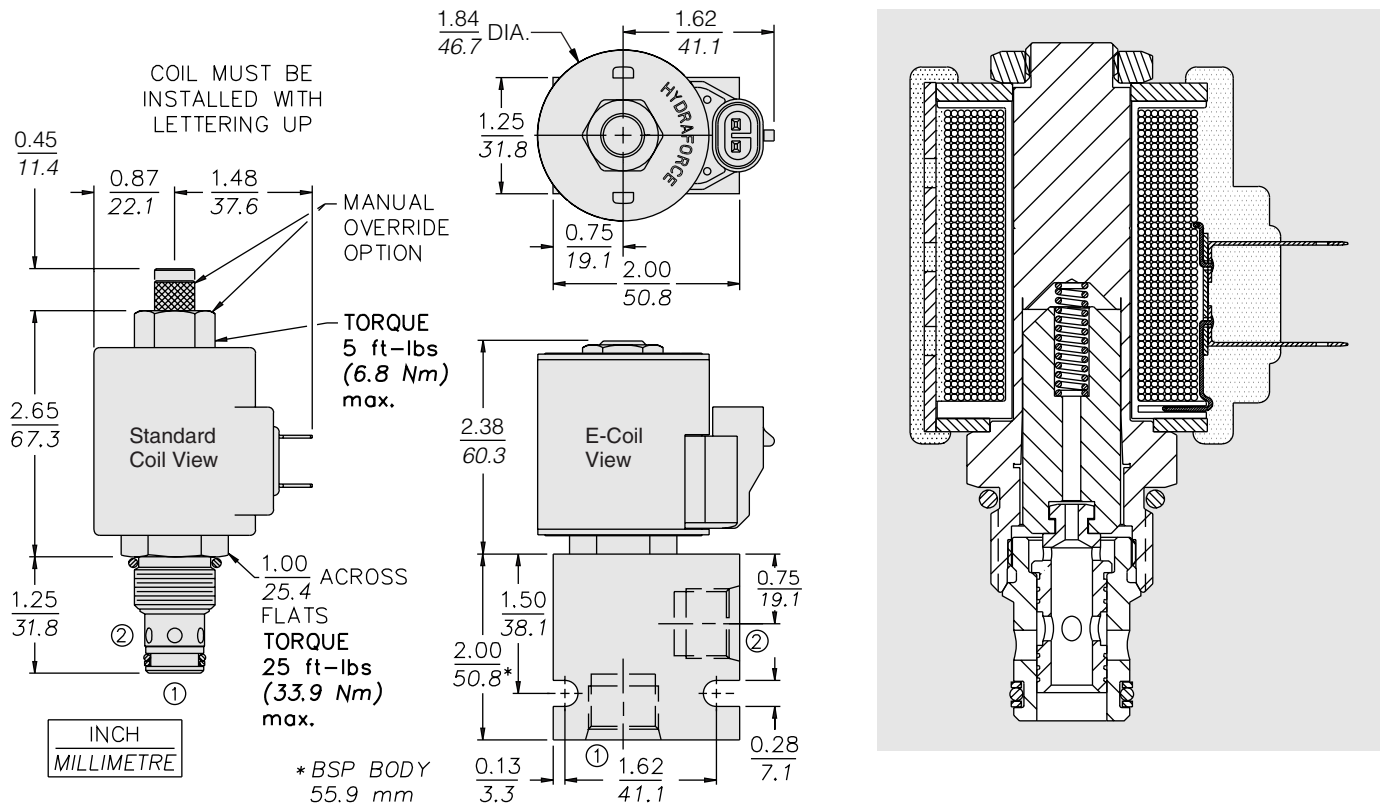
Cavity Tool: CT10-2XX; See page 8.600.1

Seal Kit: SK10-2X-M; See page 8.650.1

Coil Nut: Part No. 7004400;

For E-coils manufactured prior to 1-1-04, see page 3.400.1 for coil nut info.

DIMENSIONS



MATERIALS

Cartridge: Weight: 0.16 kg. (0.35 lbs.); Steel with hardened work surfaces. Zinc-plated exposed surfaces. Buna N O-rings and polyester elastomer back-up standard.

Standard Ported Body: Weight: 0.16 kg. (0.35 lbs.); Anodized high-strength 6061 T6 aluminum alloy, rated to 240 bar (3500 psi); See page 8.010.1. Ductile iron and steel bodies available; consult factory.

Standard Coil: Weight: 0.27 kg. (0.60 lbs.); Unitized thermoplastic encapsulated, Class H high temperature magnetwire; See page 3.200.1.

E-Coil: Weight: 0.41 kg. (0.9 lbs.); Fully encapsulated with rugged external metal shell; Rated up to IP69K with integral connectors; **Note: See page 3.400.1 for all E-Coil retrofit applications.**

TO ORDER

SV10-25			-			-			-			-			-			-		
Option			Voltage			Termination (VDC)			Termination (VAC)			Termination (VDC)								
None	(Blank)		Std. Coil			Std. Coil			Std. Coil			E-Coil								
Manual Override	M		0	Less Coil**		DS	Dual Spades		AG	DIN 43650		ER	Deutsch DT04-2P (IP69K Rated)							
Manual Override	Y		10	10 VDC†		DG	DIN 43650		AP	1/2 in. Conduit		EY	Metri-Pack® 150 (IP69K Rated)							
Manual Override	J		12	12 VDC		DL	Leadwires (2)													
For Manual Override options see page 1.001.1			24	24 VDC		DL/W	Leads w/Weatherpak® Connectors													
Porting			36	36 VDC		DR	Deutsch DT04-2P													
Cartridge Only	0		48	48 VDC																
SAE 6	6T		24	24 VAC																
SAE 8	8T		115	115 VAC																
1/4 in. BSP*	2B		230	230 VAC																
3/8 in. BSP*	3B		**Includes Std. Coil Nut																	
1/2 in. BSP*	4B		† DS, DW or DL terminations only																	
*BSP Body; U.K. Mfr. Only			E-Coil																	
Seals			10	10 VDC																
Buna N (Std.)	N		12	12 VDC																
Fluorocarbon	V		20	20 VDC																
			24	24 VDC																